

INSTRUCTIONS FOR

0. GENERAL SAFETY INFORMATION, WARNINGS & CAUTIONS
1. INSTALLATION
2. THE USER
3. SERVICING
4. DISPOSAL

MONOMATIC MM & MC5 SERIES COLD WATER PRESSURE BOOSTER SETS

MODELS: MM-FS, MM-VS, MC5-FS, MC5-VS
MM-FS-APT225, MM-VS-APT225.



ISSUE: 15 30/10/17

Head Office: AGM House, London Rd, Copford, Colchester, Essex CO6 1GT UK
Tel: 01206 215121 Email: aftersales@agm-plc.co.uk

Manchester Office : Unit 10, Wheel Forge Way, Ashburton Road West, Manchester. M17 1EH
Tel: 0161 226 4727 Email: aftersales@agm-plc.co.uk



PRODUCT IDENTIFICATION

All units described in this manual are used to automatically increase and maintain the water supply pressure to a preset 'Duty' pressure.

Please note that the Serial Number "WNxxxx" and model reference will be visible on the unit's label and on the back page of the manual supplied with the unit.

Examples of units manufactured by Aquatech Pressmain are shown below: -

Please note: it is also possible for the pump/controls/tanks to have been sold as a separate item, in which case the O&M manual and CE declaration may only be applicable in part.



MonoMatic MM-FS: Single pump
Fixed speed booster with controller
"Presscomfort" or "PM2".



Monomatic MM-VS: Single pump
Variable speed booster with Horizontal End-
suction or Vertical Multi-stage pump



MonoMatic MC5-FS: Single pump Fixed speed
booster with controller "Presscomfort" or "PM2"
65 litre break tank.



Monomatic MC5-VS: Single pump Variable
speed booster with Horizontal End-suction or and
Vertical Multi-stage pump & 65 litre break tank.



MonoMatic MM-FS-APT225: Single pump Fixed
speed booster with controller "Presscomfort" or
"PM2" and 225 litre break tank.



Monomatic MM-VS-APT225: Single pump
Variable speed booster with Horizontal End-
suction or Vertical Multi-stage pump and 225
litre break tank.







Please Note:

"Presscomfort" controller is not Wras approved and is therefore not for use with Potable water.

"PM2" controller is Wras approved and can be used with Potable water.

All "VS" variable speed models have Wras approved components and are for use with potable water.

CONTENTS

PRODUCT IDENTIFICATION	1
 0.0 GENERAL SAFETY INFORMATION 	3
0.1  WARNINGS.....	4
0.2  CAUTIONS FOR INSTALLATION.....	5
0.3  CAUTIONS FOR OPERATION/USER.....	7
0.4  CAUTIONS FOR MAINTENANCE	8
1. INSTALLATION INSTRUCTIONS.....	9
1.1 ADDITIONAL WARNINGS.....	9
1.2 ADDITIONAL CAUTIONS	9
1.3 PROCEDURE	9
1.3.1 OFF-LOADING AT SITE	9
1.3.2 LOCATION	9
1.3.3 FIXING	9
1.3.4 PIPEWORK.....	10
1.3.5 EXPANSION, CONTROL and HYDRAULIC ACCUMULATOR VESSELS.....	12
1.3.6 ELECTRICAL	13
1.3.7 GUIDANCE ON SELECTING THE CORRECT EARTH LEAKAGE PROTECTION DEVICE FOR BOOSTER SETS	15
USER INSTRUCTIONS.....	16
2.1 CUSTOMER ASSURANCE	16
2.2 COMMISSIONING.....	16
2.3 OPERATING INSTRUCTIONS	17
2.3.1 ADDITIONAL WARNINGS.....	17
2.3.2 ADDITIONAL CAUTIONS	17
2.3.3 NORMAL OPERATION	17
2.3.4 Faults with MM-FS, MC5-FS “Presscomfort”	19
2.3.5 Faults with MM-FS, MC5-FS “PM2”	19
2.3.6 Faults with MM-VS, MC5-VS sets only.....	21
2.3.7 Other Common Faults.....	23
VENTING PUMPS.....	23
2.4 MAINTENANCE INSTRUCTIONS.....	24
2.4.1. ADDITIONAL CAUTIONS	24
2.4.2 PROCEDURE	24

3. SERVICING	25
3.1 MAINTENANCE AND CARE OF YOUR EQUIPMENT.....	25
3.2 LEGAL REQUIREMENTS	25
3.3 SERVICE CONTACTS.....	25
4. DISPOSAL.....	25
EC DECLARATION OF CONFORMITY.....	27
OPERATING PARAMETERS	27



0.0 GENERAL SAFETY INFORMATION



- These instructions are intended for the installer/operator/user/maintenance of this equipment and must be kept with the equipment, for the life of the equipment and made available to all persons. Please read GENERAL SAFETY INFORMATION 0.0, WARNINGS 0.1 and CAUTIONS 0.2, 0.3 & 0.4 before doing anything else, and then follow them carefully.
- The unit must only be installed/operated/used/maintained by a competent person; *A competent person is someone who is technically competent and familiar with safety practices and the hazards involved.*
- Hydraulic Accumulators/Expansion Vessels installed as part of/in conjunction with this equipment, with Pressure x Volume above 250 Bar-litres, require regular formal inspection by a *competent person*. This is a Legal Requirement under the “Pressure Systems Safety Regulations” (PSSR) and the Owner/User should be made aware of their responsibility for this. (see section 3. Servicing).
- Failure to install/operate/use/maintain the equipment as recommended below could cause damage to the equipment any anything subsequently connected to it, and invalidate the warranty provided by AquaTech-Pressmain to the buyer.
- Any damage caused to the equipment by misapplication, mishandling or misuse could lead to risk of **Electrocution, Burns, Fire, Flooding or injury to people or property** dependent upon the circumstances involved.
- This equipment contains moving/rotating parts that must remain guarded. Removal of or missing guards could lead to serious personal injury.
- This equipment automatically restarts after a power interruption.
- We accept no responsibility or liability for any consequences or damage/losses due to misapplication, mishandling or misuse of the equipment.
- It should be noted that the assembly of pressure equipment on site under the responsibility of the user (or his representative) is not subject to the Pressure Equipment Directive 97/23/EC. (National legislation covering assembly on site will apply)
- Water storage tanks contain water and as such represent a risk of injury or death as a result of drowning and/or flooding and/or injury or death as a result of structural failure of the tank.
- The latest version of this instruction manual with up to date safety information can be downloaded from our website at www.aquatechpressmain.co.uk



0.1 WARNINGS

- 0.1.1 Do not touch any live parts for at least 5 minutes after switching off the electricity supply. Failure to observe this will constitute a severe Electric shock and/or Burns hazard and may be lethal.
- 0.1.2 The equipment is only suitable for earth referenced supplies and must be permanently earthed to avoid Electric shock hazard.
- 0.1.3 With equipment isolator OFF, mains voltage may still be present from BMS system. This constitutes an Electric shock hazard.
- 0.1.4 Emergency stop button does not remove dangerous voltages from control panel/pump motor assemblies. This constitutes an Electric shock hazard.
- 0.1.5 Metal parts (e.g. heat sinks) may reach temperatures of 90 degrees centigrade and will constitute a Burns hazard.
- 0.1.6 Some equipment is designed to operate with liquid temperatures up to 150 degrees centigrade and will constitute a Burns/scalding hazard.
- 0.1.7 The equipment must not be pressurised beyond the maximum working pressure as stated on pumps/pipework/vessels/control panel otherwise serious mechanical damage/destruction could occur causing injury to people or property.
- 0.1.8 The equipment must not be heated/chilled beyond the maximum/minimum working temperature as stated on pumps/pipework/vessels/control panel otherwise serious mechanical damage/destruction could occur causing injury to people or property.
- 0.1.9 Any damage to equipment, pumpset, vessels, pipework or system components caused by misapplication, mishandling or misuse could lead to Electric shock hazard, Burns hazard, Fire hazard, Flooding hazard or cause injury to people or property.
- 0.1.10 This equipment may contain moving/rotating parts that must remain guarded. Removal of or missing guards could lead to serious personal injury.
- 0.1.11 Pressure vessels must never be disassembled whilst in use, they contain high pressure air/gas charge which could cause injury to people or property.
- 0.1.12 Pump motors with lifting eyes; the lifting eyes are only suitable for lifting motors NOT the entire pump assembly. This could cause injury to people or property.
- 0.1.13 Ensure the base/foundation/plinth/wall to which the equipment is to be attached is sufficiently strong enough to carry the entire mass of the equipment including the water that it will contain under worst-case fault conditions. E.g. fully saturated pressure vessel with no air charge, break tank full to overflowing, etc. Failure to observe this could cause serious mechanical damage/destruction resulting in injury to people or property.
- 0.1.14 This equipment contains a fluid which may under certain circumstances leak/drip/spray fluid (e.g. servicing, repair or malfunction). Ensure any fluid discharge will not cause damage to the surroundings by taking appropriate action. E.g. install in a place that will not be damaged by leakage or install in a bunded area with adequate drainage.
- 0.1.15 Neither the tank nor upstand (if supplied) are suitable for use as a working platform or designed to support the weight of man traffic. Standing on, walking across, and/or use of the tank as a support may result in death or serious injury and/or structural failure of the tank resulting in serious damage to equipment and/or property.
- 0.1.16 It is essential that the tank is correctly connected to all incoming, outgoing, drain and overflow and/or any other related pipework and/or electrical equipment of any kind before the tank is filled. Failure to do so may result in death or serious injury and/or structural failure of the tank resulting in serious damage to equipment and/or property.
- 0.1.17 Do not remove the main lid of the tank without first draining the tank. The lid is a structural part of the tank and MUST remain correctly fitted and fixed down at all times whether water is contained within the tank, or whether the tank is empty. Removal of the main lid of the tank when water is contained within the tank may result in death or serious injury and/or structural failure of the tank resulting in serious damage to equipment and/or property.

- 0.1.18** AquaTech Pressmain storage tanks are designed to operate at atmospheric pressure only and must not be pressurised or be subjected to vacuum. Should any tank be subjected to pressurisation and/or vacuum this may result in death or serious injury and/or structural failure of the tank resulting in serious damage to equipment and/or property.
- 0.1.19** AquaTech Pressmain tanks are designed to operate within a specific temperature range between 3°C & 30°C. UNLESS SPECIFICALLY STATED OTHERWISE the temperature of the tank and/or water contained within must not fall below 3°C or exceed 30°C. Should such a condition arise this may result in structural failure of the tank resulting in death or serious injury and/or serious damage to equipment and/or property.
- 0.1.20** AquaTech Pressmain tanks are designed to contain clean, wholesome water only, and are not suitable to be in contact with water containing additives of any kind other than those included by any local water authority for the purposes of maintaining water hygiene and within standards and to concentrations allowing such water to remain as of a potable standard, being fit for drinking purposes.
- 0.1.21** Chlorination of the tank should take place using only chemicals and materials which are deemed suitable for use in contact with GRP tanks. Chemicals must be at concentrations which will not cause damage to the tank. Contact time for such materials should be no more than 1 hour duration and should be thoroughly flushed from the tank after use. Any unsuitable abrasive or aggressive chemical products and/or materials may cause damage to the structure of the tank.



0.2 CAUTIONS FOR INSTALLATION

- 0.2.1** READ GENERAL SAFETY INFORMATION 0.0, WARNINGS 0.1 and CAUTIONS 0.2, 0.3 & 0.4
- 0.2.2** The unit should only be installed/operated by a competent person; *A competent person is someone who is technically competent and familiar with safety practices and the hazards involved.*
- 0.2.3** Do not lift the pumpset by pipework. Lift the pumpset by the container pallet using a pallet/forklift or crane by passing strops underneath the skid using a spreader bar. Failure to utilise these facilities will result in damage to the pumpset.
- 0.2.4** Store in a dry place to avoid damp conditions deteriorating the equipment.
- 0.2.5** Protect against dirt, damage and frost. It is absolutely essential that no foreign matter such as pipe thread swarf, welding slag, grit or stones are allowed to enter the set. Debris of this type can cause severe damage to the mechanical seals, diaphragms and impeller. Frost/freezing will damage pumps/pipework and control panel components.
- 0.2.6** The equipment is only suitable for installation in a clean, dust free indoor environment, with adequate protection from heat and frost, and sufficient ventilation to ensure cooling of the motors. Ambient air temperature should be between 5 and 40 degrees centigrade, non-condensating. Operation outside of these conditions could seriously damage the equipment.
- 0.2.7** If the equipment were to be stored or taken out of service for a period of time (e.g. 1 week or more), then we would recommend draining the equipment of all water/liquid (with due regard to any local regulations) to prevent frost damage to components. When restarting is required we would recommend commissioning by our authorised service agent.
- 0.2.8** Ensure the base/foundation/plinth/wall to which the equipment is to be attached has sufficient mass compared to the equipment, in order to avoid noise/vibration transmission. E.g. the mass of the base should be at least five times the mass of the equipment.
- 0.2.9** Ensure the electrical supply is the correct voltage, current, frequency and type for the equipment supplied and that suitable circuit protection equipment is installed in the supply. Incorrect electrical installation could be an electric shock/burns/fire hazard.
- 0.2.10** When accessing the control panel to make electrical connections adopt anti-static procedures e.g. wear anti-static earthed wristband, to avoid risk of damaging the controller.
- 0.2.11** All products that are packaged to include Pressure vessel(s)/Hydraulic Accumulator(s)/Expansion Vessel(s) are classed as “Assemblies” under the Pressure Equipment Directive (PED). Where units are despatched with “Loose” vessel(s) for assembly on site it is absolutely essential that they be installed

as detailed in the instructions using the fittings provided where appropriate. Failure to observe this will nullify compliance with the PED and may present a safety hazard. Your warranty may also be affected.

- 0.2.12** Where Hydraulic Accumulator(s)/Expansion Vessel(s) are supplied as a loose item, they must be installed/connected correctly before operating the equipment, otherwise serious damage from over-pressure/pump overheating could occur.
- 0.2.13** Do not operate this equipment/pumpset prior to commissioning (section 2.2) This could cause irreparable damage to equipment/pumpset/pipework/system components which would not be covered by the warranty.
- 0.2.14** Isolate the equipment/pumpset before pressure testing system. Excess pressure could irreparably damage the pressure transducer, pressure switches (where fitted) and the diaphragms of pressure vessel/hydraulic accumulators.
- 0.2.15** It is the installers' responsibility to ensure subsequent pipework etc can accept the pressures generated by the equipment/pumpset and to install an overpressure safety device into the system with due respect to the suction pressure present on the pumpset, the pump closed valve pressure stated on the pump, the maximum working pressure stated on any of the attached pressure vessels and any other device connected to the system e.g. boilers, calorifiers etc.
- 0.2.16** When chlorination of the system is carried out, ensure that any residual chlorine is removed by thorough flushing as detailed in the HSE approved code of practice L8, to avoid damaging the equipment/pumpset. The normal level of chlorination is up to 2 parts per million (ppm), but shock dosing for sterilization purposes, at 25-50 ppm for 24-48 hours is acceptable as long as all chlorine is removed once the process is complete. Chlorination beyond these limits could seriously damage pumpset components and WILL NOT be covered by the warranty.
- 0.2.17** The installer/user is responsible for the installation of the correct earthing and protection according to valid national and local standards. All operations must be carried out by a suitably qualified person.
- 0.2.18** The equipment is only suitable for earth referenced supplies and must be permanently earthed to avoid electric shock hazard.
- 0.2.19** The equipment must be permanently earthed with appropriate sized Earthing.
- 0.2.20** Equipment containing variable speed drives/motors has high earth leakage current >3.5mA and will require additional earth bonding whereby a single conductor of increased size or duplicate earth conductors must be provided.
- 0.2.21** Never perform high voltage resistance tests on control panels, variable speed drives/motors without first disconnecting the panel/drive/motor from the circuit being tested as this will damage the built in electronic components.
- 0.2.22** Equipment containing variable speed drives/motors that has been stored/not powered up for long periods of time (i.e. 1 year or more) may require the variable speed drive/motor capacitors to be reformed. Please contact AquaTech-Pressmain for more information. Failure to reform capacitors will result in drive/motor damage.
- 0.2.23** Metal parts (e.g. heat sinks) may reach temperatures of 90 degrees centigrade.
- 0.2.24** RCD's/ELCB's are not recommended for use with variable speed drives/motors. Where their use is mandatory use type B RCD's. For single phase sets with inverter motors the earth leakage circuit breaker must trip out when earth fault currents with DC content (pulsating DC) occur. For three phase sets with inverter motors the earth leakage circuit breaker must trip out when earth fault currents with DC content (pulsating DC) and smooth DC earth fault currents occur.
- 0.2.25** RCD's/ELCB's suitable for use with variable speed drives/motors are not suitable for personnel protection.
- 0.2.26** EMC – Grundfos inverter motors 0.37kW to 5.5kW Electromagnetic disturbance – first environment (residential areas) – unrestricted distribution, corresponding to CISPR 11, class B, group 1. Inverter motors > 5.5kW Electromagnetic disturbance – first environment (residential areas) –restricted distribution. Immunity to Electromagnetic disturbance – second environment (industrial areas) – unrestricted distribution, corresponding to CISPR 11, class A, group 1. Inverter motors > 5.5kW for installation in first environment (residential areas) require additional EMC filter to obtain class B, group 1 status.
- 0.2.27** EMC - With respect to BS EN61000-3-2 this equipment is defined as 'professional equipment' and therefore the installer/user may need to seek permission from the supply utility to connect this equipment to the public low voltage mains supply.

- 0.2.28** Where “Expansion vessels” are used on Domestic hot water systems (DHWS) or LTHW heating system pressurisation units, the temperature of the fluid returning to the vessels should not exceed 70 degrees Centigrade as this could damage the vessel diaphragm. Where the temperature exceeds 70C an intermediate cooling vessel should be fitted.
- 0.2.29** Where “Expansion vessels” are used on Domestic hot water systems (DHWS) or LTHW heating system pressurisation units, the glycol content in the water must not exceed 50%.
- 0.2.30** Drain cocks/valves and air bleed screws must not be left open as this could cause flooding.
- 0.2.31** When positioning, the tank **MUST** be lifted. The tank **MUST NOT** under any circumstances be dragged. The tank should be lifted using a suitable pallet to the underside and by using a pallet/forklift or crane by passing strops underneath the tank and/or pallet using a spreader bar. Any pallets must be no smaller than the overall external length and width dimensions of the tank. It is essential that no load is placed by pallets, supports, fork lift truck forks or similar, to the unsupported single skin base of any tank. Failure to utilise these correct lifting and/or movement procedures will result in damage to the base of the tank.
- 0.2.32** The tank is not suitable for use as a working platform or designed to support the weight of man traffic. Standing on, walking across, or use of the tank as a support of any kind and for any purpose may result in death or serious injury and/or structural failure of the tank resulting in serious damage to equipment and/or property.
- 0.2.33** Where the fitting of connections to the tank is to be carried out on site it is essential that the operator carrying out such work is fully trained and familiar with carrying out an operation of this type.
- 0.2.34** During the process of on site fitting of connections, the cutting of the tank body and/or lid may result in the production of GRP dust, swarf, shards and/or splinters. It is essential that any persons carrying out such work are fully protected from these hazards by use of correct Personal protection equipment.
- 0.2.35** During the process of the on-site fitting of connections and/or any other work requiring the use of hand tools or powered tools and/or equipment of any type it is essential that any operator is fully conversant with the correct use of the equipment and is fully protected by the use of the correct personal protection equipment. Always consult tool/equipment manufacturer’s users’ manuals prior to use.
- 0.2.36** When installing water storage tanks always consult the current water regulations and local water authority regulations and requirements to ensure that the installation of the tank is suitable for the application, correctly carried out and does not contravene such regulations.
- 0.2.37** Any connections, pipework and/or equipment of any kind connected to or in association with the tank must be fully supported by independent brackets and/or similar structures and fixings. It is essential that the tank body and/or lid are **NOT** used to provide support of any kind for equipment or items of any kind.



0.3 CAUTIONS FOR OPERATION/USER

- 0.3.1** READ GENERAL SAFETY INFORMATION 0.0, WARNINGS 0.1 and CAUTIONS 0.2, 0.3 & 0.4
- 0.3.2** The unit should only be operated/used by a competent person; *A competent person is someone who is technically competent and familiar with safety practices and the hazards involved.*
- 0.3.3** The Owner/User of this equipment has a Legal Responsibility to ensure that it is subject to regular formal inspections. See Section 3. Servicing, for details.
- 0.3.4** Where Hydraulic Accumulator(s)/Expansion Vessel(s) are supplied as a loose item, they must be installed/connected correctly before operating the equipment, otherwise serious damage from over-pressure could occur.
- 0.3.5** The set must not be run until commissioned by an authorised AquaTech-Pressmain agent, this could irreparably damage the pump set and/or system components/pipework connected to it which would not be covered by the warranty.
- 0.3.6** The pumpset should be left switched ON with the pumps switched to AUTO for normal operation.
- 0.3.7** The pumpset should not be left in “Hand” operation for more than 1 minute. This could lead to severe damage of pumpset components and/or pipework system from over-pressure and/or overheating.

- 0.3.8** Ensure pumpset has an adequate water supply at all times to prevent dry running causing pump seal damage and water leakage.
- 0.3.9** Do no attempt to start pumps without liquid in volutes (pumps must be fully primed); mechanical seals must have a film of liquid between faces for proper operation and to prevent damage.
- 0.3.10** Portable telephones or other electro-magnetic equipment must not be used near the set to avoid corruption of program and unpredictable operation of unit.
- 0.3.11** Fire Pump sets: operate regularly (once a week for 1 minute) to prevent seizing
- 0.3.12** After Installation and first filling, the tank should initially be inspected on a weekly basis to ensure that no leaks are present and that no damage or deterioration to the tank structure and associated connections and/or pipework has taken place. After 4 to 6 weeks, provided that no abnormalities have occurred the inspection interval can be increased to 6 months.
- 0.3.13** Any float valves, overflows and/or warning pipes should be inspected on a weekly basis to ensure that the tank is not in an overflow condition. Tanks which are in an overflow condition are a source of considerable waste of water. Water is an expensive and often scarce natural resource; its wastage comprises a threat to the environment and contributes to global climate change.
- 0.3.14** It is a requirement of current water regulations that water storage tanks should be thoroughly inspected at an interval not exceeding one year; in order to determine the state of hygiene inside the tank. If present, any dirt or debris, foreign matter, growths or contamination of any kind should be thoroughly cleaned from the inside of the tank and the tank chlorinated prior to re-commissioning.
- 0.3.15** All screen units which are fitted to any vents, overflows and/or warning pipes should be inspected and if necessary removed, cleaned and re-fitted prior to re-commissioning of the tank.
- 0.3.16** It is essential that tank inspection and cleaning and any other water hygiene work is carried out by the building water hygiene facilities services provider or similar specialist.
- 0.3.17** During any cleaning, and/or chlorination of the tank, only chemicals and materials which are deemed suitable for use in contact with GRP should be used. Chemicals must be at concentrations which will not cause damage to the tank. Contact time for such materials should be no more than 1 hour duration. Any abrasive or aggressive chemical products and/or materials may cause damage to the structure of the tank.



0.4 CAUTIONS FOR MAINTENANCE

- 0.4.1** READ GENERAL SAFETY INFORMATION 0.0, WARNINGS 0.1 and CAUTIONS 0.2, 0.3 & 0.4
- 0.4.2** The unit should only be operated/maintained by a competent person; *A competent person is someone who is technically competent and familiar with safety practices and the hazards involved.*
- 0.4.3** Where the set is fitted with Building Management Services (BMS) interconnections, notify the appropriate persons before switching OFF for maintenance or adjustments, to avoid unnecessary alarm conditions occurring. **WARNING:** With pumpset isolator OFF, mains voltage may still be present from BMS system. This constitutes an Electric shock hazard.
- 0.4.4** To prevent seizing, pumpsets must not be left unused for long periods (e.g. 1 week).
- 0.4.5** The pumps must be run regularly to avoid stagnation of water in the pumps/pipework (e.g. daily).
- 0.4.6** Do not vent air from air valves on vessels. These are for adjustment of pre-set cushion pressures. If wrongly adjusted this will lead to incorrect operation of the pumpset and possible damage to pumps, pipework and system components from overheating and over-pressure.
- 0.4.7** Switch OFF pumpset before accessing pumps and/or control panel.

1. INSTALLATION INSTRUCTIONS

These instructions are intended for the installer of this pressure booster set. Please follow them carefully.

The unit should only be installed by a competent person; *A competent person is someone who is technically competent and familiar with safety practices and the hazards involved.*

Failure to install the equipment as recommended below could invalidate the warranty provided by AquaTech-Pressmain to the buyer

1.1 ADDITIONAL WARNINGS

ON MM-VS & MC5-VS SETS - DO NOT TOUCH ANY LIVE PARTS FOR AT LEAST 5 MINUTES AFTER SWITCHING OFF THE POWER. Failure to observe this will constitute an ELECTRIC SHOCK HAZARD.

READ GENERAL SAFETY INFORMATION 0.0, WARNINGS 0.1 and CAUTIONS 0.2, 0.3 & 0.4

1.2 ADDITIONAL CAUTIONS

1.2.1 READ GENERAL SAFETY INFORMATION 0.0, WARNINGS 0.1 and CAUTIONS 0.2, 0.3 & 0.4.

1.3 PROCEDURE

1.3.1 OFF-LOADING AT SITE

Do not lift pumpset by pipework. Lift the pumpset by the container pallet using a pallet/forklift or crane by passing strops underneath the skid using spreader bar.

Failure to utilise these facilities could result in damage.

1.3.2 LOCATION

If the set is to be installed in an unheated room, ensure that there is adequate frost protection. The location of the equipment should have adequate drainage, bunding or other appropriate measures to protect assets and the building fabric in the event of leakage or water spillage. Failure to provide such measures may result in water damage to property and assets.

Ensure that location for pumpset provides adequate clear space to accommodate unit with reasonable access to all parts; AquaTech-Pressmain recommend a minimum distance of 500mm all round. There must be sufficient room to:-

fully open control panel door;

lift and withdraw pumps;

withdraw diaphragms from vessels.

remove manifolds from pumps.

remove lid from break tank to allow servicing of float valve.

Inspect all sides of the tank,

Check integrity of all tank fittings and clean strainers where fitted,

Inspect tank upstand (where supplied) for rigidity and allow for maintenance,

Any Hydraulic Accumulator supplied should be located as near as possible to the discharge side of the pumpset.

Should any of these location conditions not be satisfied AquaTech-Pressmain reserve the right to charge labour on any warranty work required on the pumpset.

1.3.3 FIXING

Install the set on a flat, even and level surface, where practical on a raised plinth to keep set above damp floor. Locate unit in position; fit anti-vibration mounts if supplied. If necessary level the base by inserting packing strips adjacent to bolt positions. Firmly attach pumpset to base.

1.3.4 PIPEWORK

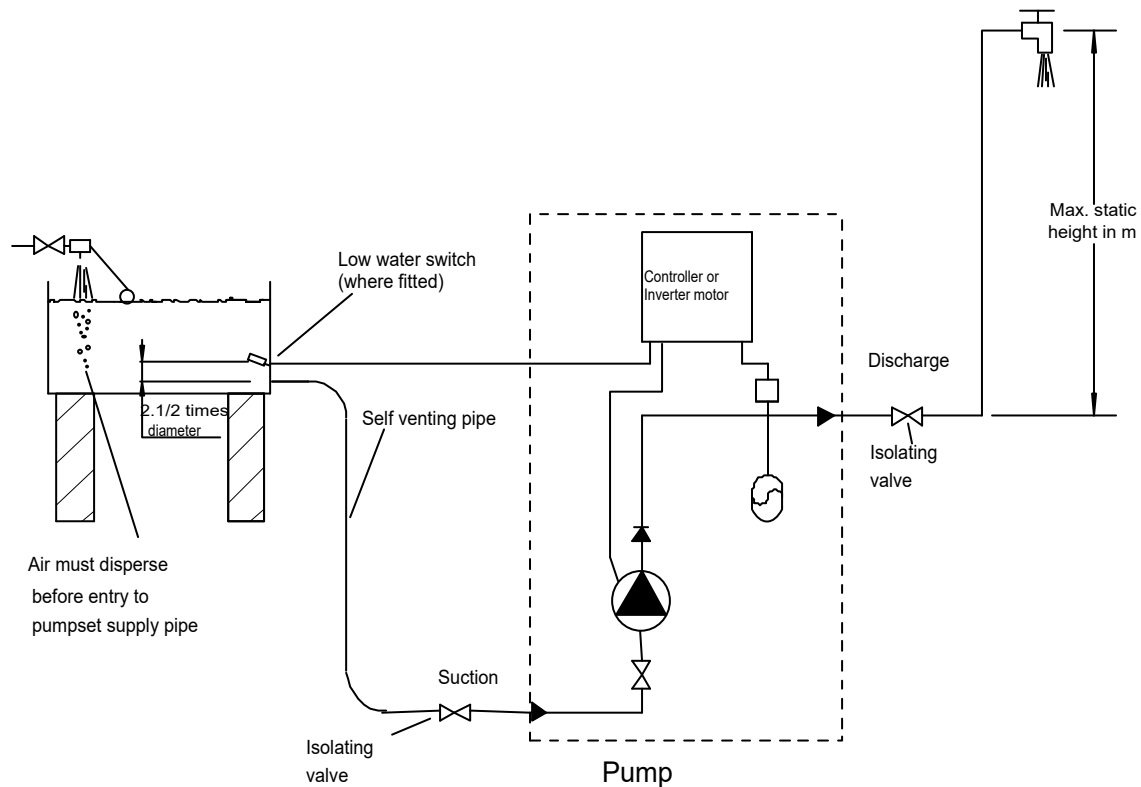


Fig. 1.1 Typical Pipework arrangement

- 1.3.4.1** Where a pump only has been supplied, arrange mains water breaktank to ensure fully flooded suction conditions to the pump, unless otherwise specified. Minimum requirement = 0.15 bar (1.5 metres)
- 1.3.4.2** Arrange the suction pipework to be self-venting between the mains water breaktank and the pumpset suction manifold (see fig.1.1).
- 1.3.4.3** Fit isolating valves to the suction side and discharge side of the pumpset (see fig.1.1), to enable the pumpset to be isolated from the system for maintenance purposes.
- 1.3.4.4** Under no circumstances fit an extra non-return valve, to either the suction or the discharge, as it may interfere with the correct operation of the non-return valve already fitted as standard in the pumpset.
- 1.3.4.5** Remove any protective end plugs from suction and discharge pipework on pumpset.
- 1.3.4.6** Connect site pipework as required, to suction and discharge connections, mains water connection on break tank and overflow pipe, ensuring adequate support is provided to avoid imposing pipe strain on any components. The connecting pipework should be of adequate size. Where flexible pipe connections are fitted, ensure that the correct distance is allowed between flanges, that the pipework is also aligned axially, and no strain is imposed by the site pipework.
- 1.3.4.7** Where Hydraulic Accumulator(s)/Expansion Vessel(s) are supplied as a loose item, they must be installed/connected correctly before operating the equipment, otherwise serious damage from over-pressure/pump overheating could occur (see also 1.3.5 for correct mounting).
- 1.3.4.8** All hydraulic accumulators and expansion vessels fitted to the system must have isolating and drain off valves to enable them to be serviced and removable pipework to enable the diaphragm to be replaced.
- 1.3.4.9** Mains water supply: Connect to ½" or ¾" inlet valve in tank (as appropriate). Ensure minimum of 1 Bar pressure. Fill the tank. Ensure flow rate into tank equals or exceeds flow rate out of tank/pump.
- 1.3.4.10** If necessary adjust the float to cut off supply just below the warning pipe.
- 1.3.4.11** MM-VS (& MC5-VS) sets; Install low level float switch in mains water breaktank at a level which stops the pumps when the water level reaches a point 2½ times the outlet pipe diameter above the outlet pipe. Make contacts = low water fault. Break contacts = water level ok.

- 1.3.4.12** Ensure that any swarf, debris, etc that may have entered the tank is removed as it could cause damage to the tank or connected equipment.
- 1.3.4.13** For side mounted switch supplied, drill a 23mm diameter hole in the side of the tank at the correct height, assemble switch in correct order (as shown below), insert into tank from the outside ensuring the float is the right way up, right up to the flange of the seal, tighten nut to deform seal, sealing the hole in the tank. Connect the wires to the appropriate terminals of the pump.

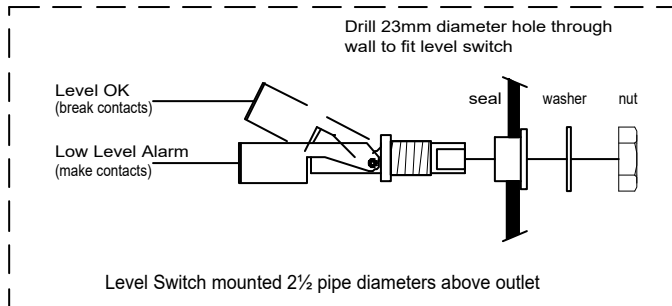


Fig. 1.2 Typical Low Water float switch

- 1.3.4.14** The maximum static height of the pipework for fixed speed units (models MM-FS, MC5-FS) is dependent upon the pump start pressure selected as Table 1.1 below. Note: if the maximum static height is greater than the start pressure minus 0.3Bar then the pump may not start.
- 1.3.4.15** The pump closed valve pressure must be at least 0.4Bar greater than the pump start pressure. Note: if the pump closed valve pressure is less than the start pressure plus 0.4Bar then the pump may not stop.

MM-FS or MC5-FS with
"Presscomfort" controller: -



Pump start pressure setting in Bar	max static height above Presscomfort in m
default 1.5	12
2	18
2.5	23

MM-FS or MC5-FS with
"PM2" controller: -



Pump start pressure setting in Bar	max static height above PM2 in m
default 1.5	11
2	16
2.5	21
3	26
3.5	31
4	36
4.5	41
5	46

Table. 1.1 Pump start pressure

1.3.5 EXPANSION, CONTROL and HYDRAULIC ACCUMULATOR VESSELS

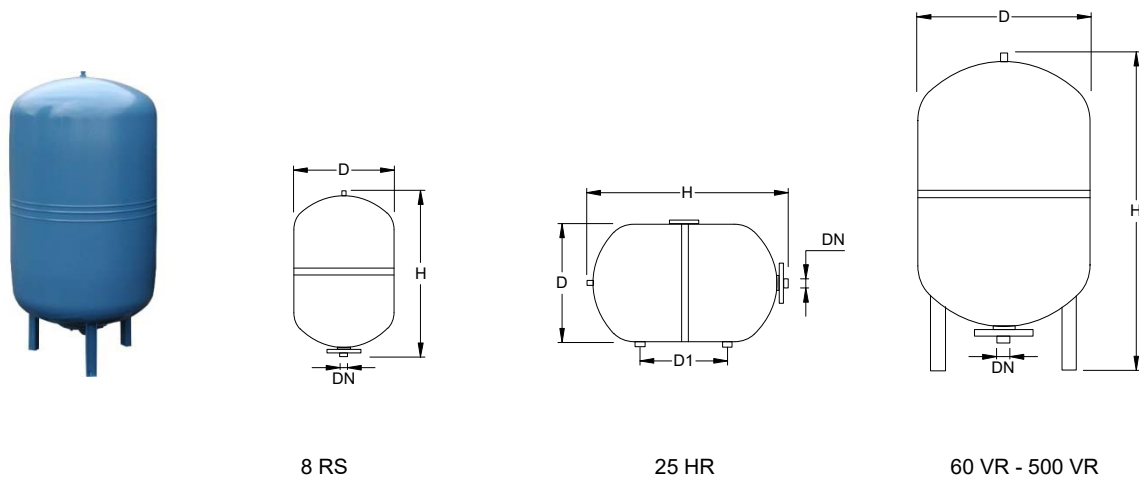


Fig. 1.2 Typical Vessels.

Type (Stockcode MTH-)	300008	300024	300060	300100	300200	300300	300500
Nominal Content –litres	8	25	60	100	200	300	500
D mm	206	295	409	480	634	634	740
D1 mm	-	228	-	-	-	-	-
H mm	320	485	740	840	980	1280	1485
Water Connection DN BSP	¾"	1"	1"	1"	1 ¼"	1 ¼"	1 ¼"
Weight Kg	2.4	5.6	25	32	50	55	85
Max. working Pressure-bar	10	10	10	10	10	10	10

Table. 1.2 Vessel data.

All vessels must be securely mounted to prevent any movement from imposing strain on the attached pipework. Vessels of 60 litres capacity or greater **MUST** be mounted vertically on the integral legs with water connection lowermost.

Set up the vessel so the air charge filling valve (top) and the diaphragm (bottom) are accessible for future maintenance. All vessels must have isolating and drain off valves fitted to enable them to be serviced. The connecting pipework should be removable to give access for replacing the diaphragm and should be the same size as the vessel connection to minimise friction losses.



Fig. 1.3a & b Isolation valve on system pipework & Flexible hose with drain cock on vessel (non-flow through vessel shown)

Set the air cushion pre-charge pressure to the correct level (see section 2.4), dependent on the application required for the vessel. Refer to the Operating parameters at the back of this manual or contact Aquatech-Pressmain for advice.

Caution: If the air cushion pre-charge pressure required exceeds 4.0 Bar then you must follow the procedure shown in section 2.4 to avoid damaging/rupture of the internal diaphragm and consequences of. E.g. High and/or low pressure problems, unstable pump operation.

1.3.6 ELECTRICAL

WARNING: DO NOT TOUCH ANY LIVE PARTS FOR AT LEAST 5 MINUTES AFTER SWITCHING OFF THE POWER TO ALLOW CAPACITORS TO DISCHARGE (WHERE FITTED)

READ GENERAL SAFETY INFORMATION 0.0, WARNINGS 0.1 and CAUTIONS 0.2, 0.3 & 0.4

- 1.3.6.1 All wiring must comply with the latest edition of local wiring Regulations.
- 1.3.6.2 **Wear anti-static wrist strap at all times** to avoid static discharge causing problems with the built in electronic program.
- 1.3.6.3 Connect incoming electrical mains supply to identified terminals on controller/inverter motor terminals via a local isolator. Ensure voltages and frequency indicated on the controller/motor nameplate and wiring diagrams correspond with supply mains data and that the supply fuse type & rating is correct for the total current rating of the equipment. Note: some 3 phase units may require Neutral supply for special applications. Refer to wiring diagram supplied with the unit or AquaTech-Pressmain.
- 1.3.6.4 Where optional remote fault signal is required connect volt free terminal in inverter motor to remote panel. (see Fig. 1.5).
- 1.3.6.5 Low water cut out is required on models with inverter motor, wire float switch to run/stop terminals 2 & 3 in motor terminal box. Make to run, break to stop. (see Fig. 1.5)
- 1.3.6.6 Complete any required earth bonding.

MM-FS or MC5-FS with “Presscomfort” controller wiring: -

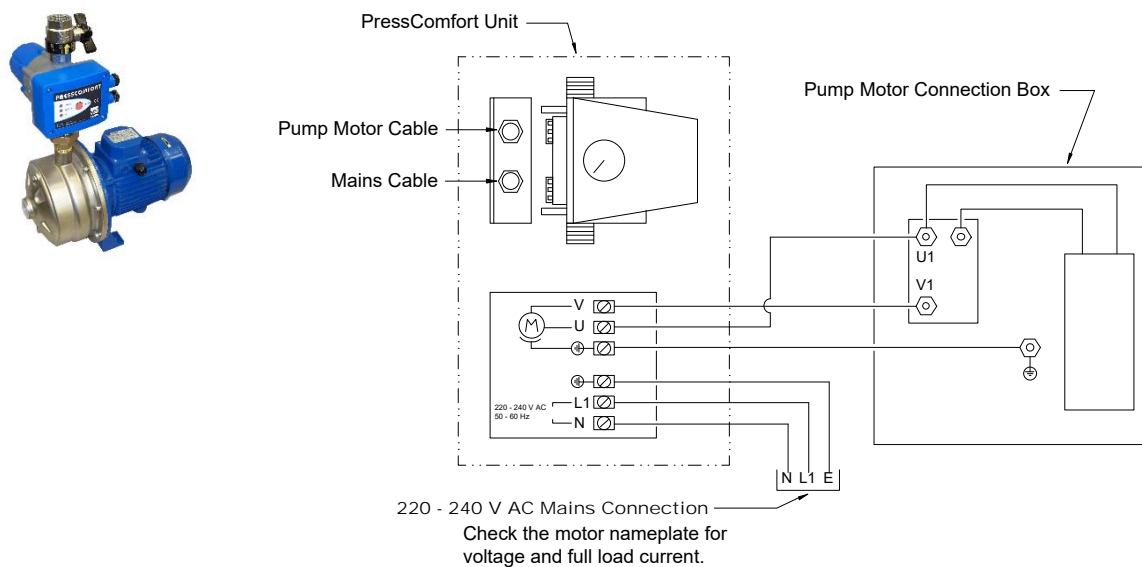


Fig. 1.4 Typical example of Presscomfort controller electrical connections

MM-FS or MC5-FS with “PM2” controller wiring: -

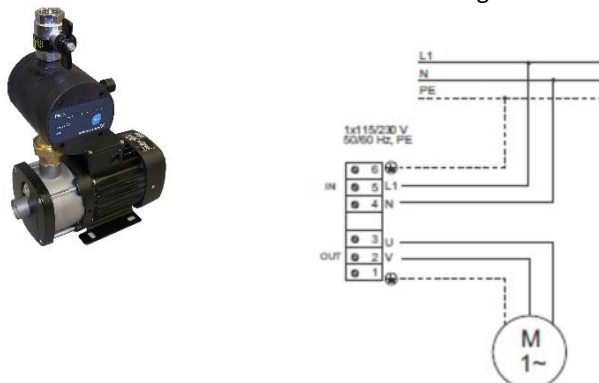


Fig. 1.5 Typical example of PM2 controller electrical connections

MM-VS or MC5-VS with “Inverter-motor” wiring: -

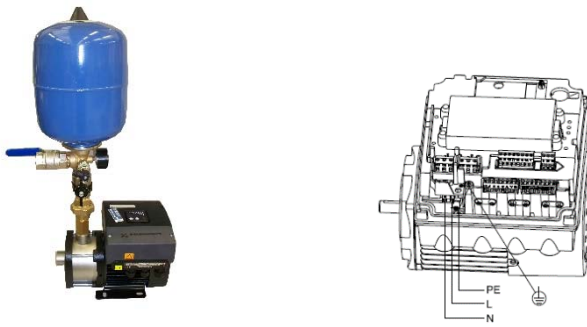


Fig. 1.6a Mains connection single phase motors

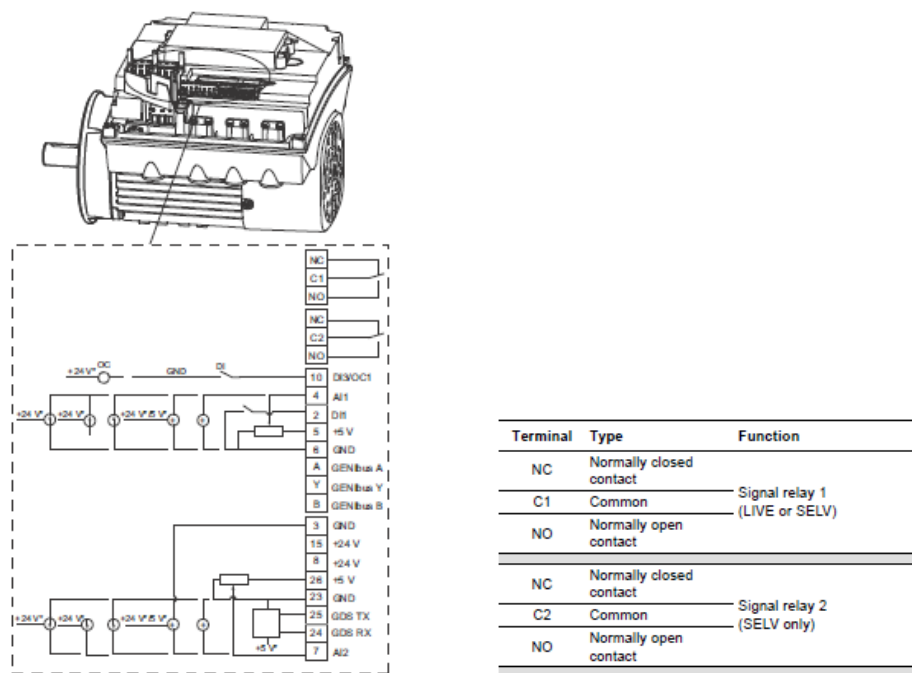





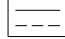
Fig. 1.6b Typical example of Inverter motor connections

1.3.7 GUIDANCE ON SELECTING THE CORRECT EARTH LEAKAGE PROTECTION DEVICE FOR BOOSTER SETS

WARNING: DO NOT TOUCH ANY LIVE PARTS FOR AT LEAST 5 MINUTES AFTER SWITCHING OFF THE POWER

All wiring must comply with the latest edition of local wiring Regulations.

Where the incoming electrical supply to the booster set is to be protected by the customer using an Earth Leakage Protection Device, We would recommend that in order to prevent nuisance tripping, follow the information provided below:-

1. Generally a booster set with pumps/motors that are single or three phase "fixed speed" should have protection that is of the RCBO style, with a type "C" MCB part (inrush 5-10 x Amp rating) and 30mA class "A" or "AC" RCD part (residual AC/pulsed DC or residual AC only fault currents).  
2. Generally a booster set with pumps/motors that are single phase "variable speed" should have protection that is of the RCBO style, with a type "C" MCB part (inrush 5-10 x Amp rating) and 30mA class "A" RCD part (residual AC/pulsed DC fault currents) for single pump sets.
3. Generally a booster set with pumps/motors that are three phase "variable speed" should have protection that is of the RCCB style, with a 30mA class "B" RCD part (residual AC/pulsed DC & smooth DC fault currents) which is not of the delayed tripping type.  

To help identify the type of cold water pressure booster set pump/motors selected and therefore identify the correct Earth Leakage Protection Device to use, please refer to the following table: -

TO IDENTIFY PUMP/MOTOR TYPE: -


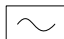



Pumpset Model installed	Fixed or Variable speed pump/motor.	Motor Voltage/phase. (check motor nameplates)	kW rating per motor. (check motor nameplates)	Recommended Earth Leakage protection device.
MM-FS, MC5-FS	1 x fixed speed	230/1/50 (or 400/3/50)	Up to 4kW	RCBO type "C" class "A" or "AC" 30mA trip.  
MM-VS, MC5-VS	1 x variable speed	230/1/50	0.37 to 1.1kW	RCBO type "C" class "A" 30mA trip. 
MM-VS, MC5-VS	1 x variable speed	400/3/50	0.75 to 3kW	RCCB class "B" 30mA trip.  

Table. 1.3 RCD Data.

If you require any further assistance please contact AquaTech-Pressmain.

2. USER INSTRUCTIONS

2.1 CUSTOMER ASSURANCE

AQUATECH-PRESSMAIN ASSURE YOU THAT IF ANY PART OF THIS EQUIPMENT BECOMES DEFECTIVE DUE TO FAULTY MANUFACTURE OR MATERIALS WITHIN 12 MONTHS FROM THE DATE OF INVOICE, THE PART WILL BE REPAIRED OR REPLACED.

The only conditions are: -

- ◆ The equipment must have been installed, commissioned, operated and maintained as recommended by **AquaTech-Pressmain**.
- ◆ The equipment must not have been neglected, misused, modified, or used for any other purpose than its original application.
- ◆ The commissioning should be carried out within 6 months of the date of invoice by an authorised **AquaTech-Pressmain** agent.
- ◆ This Assurance does not apply to those items not supplied by us or to defects arising from parts not made or approved by **AquaTech-Pressmain**. The individual manufacturers own policies for dealing with defects will apply.
- ◆ Any part repaired or replaced under these Assurances will be covered for the balance of the appropriate Assurance period.
- ◆ If we have any disagreement about these Assurances which we are unable to resolve we will both abide by the decision of an agreed Arbitrator or, if we are unable to agree, one appointed by the Building and Engineering Services Association (B & ES) Arbitration Scheme Rules.
- ◆ These Assurances are in addition to, and do not detract from, the contractual rights you have under Statute or at common law.
- ◆ Failure to comply with the installation, commissioning and maintenance procedures will invalidate the warranty.

For full details please see the AquaTech-Pressmain "CONDITIONS OF SALE"

2.2 COMMISSIONING

Whilst this set has been tested in the factory to the required settings (detailed in operating parameters at the back of instruction manual), it is impossible to simulate the actual on-site conditions, especially if they are unusual. Also, the settings may have been disturbed since leaving the factory.

Therefore we strongly recommend **the set is commissioned by our authorised agent** who will prepare the set, make any necessary adjustments and leave the set in operational order.

Commissioning is a requirement to validate the Warranty (see Customer Assurance)

Prior to requesting an engineer to attend the site for commissioning, the client must ensure that;

- the equipment has been correctly installed;
- a written scheme of examination has been obtained where required under the Pressure Systems Safety Regulations;
- any necessary chlorination or other treatment has been completed;
- an adequate water supply and permanent electricity supply are available;
- the pipework etc in the building being served by the pumpset is capable of accepting the generated pressures.

Before the tank is used it needs to be cleaned and sterilised in line with the latest water regulations. This should only be undertaken by competent persons; competent *persons are those who are technically competent and*

familiar with safety practices and the hazards involved. Sterilisation and full commissioning can be undertaken by our authorised service agents.

2.3 OPERATING INSTRUCTIONS

These pumpsets are used for increasing the supply pressure of cold potable water and other liquids.

2.3.1 ADDITIONAL WARNINGS

ON MM-VS & MC5-VS SETS - DO NOT TOUCH ANY LIVE PARTS FOR AT LEAST 5 MINUTES AFTER SWITCHING OFF THE POWER

READ GENERAL SAFETY INFORMATION 0.0, WARNINGS 0.1 and CAUTIONS 0.2, 0.3 & 0.4.

2.3.2 ADDITIONAL CAUTIONS

2.3.2.1 READ GENERAL SAFETY INFORMATION 0.0, WARNINGS 0.1 and CAUTIONS 0.2, 0.3 & 0.4.

2.3.3 NORMAL OPERATION

The Monomatic pressure booster set increases and maintains the supply pressure by switching the pump on and off automatically as required.

The pumpset consists of one pump with associated suction and discharge pipework and valves which, when supplied with a mains water breaktank is mounted on a baseframe. The controls are in a pipework mounted controller for fixed speed pumps or included in the motor terminal box for variable speed pumps and work in conjunction with a hydraulic accumulator where fitted.

2.3.3.1 MM-FS, MC5-FS fixed speed pump with “Presscomfort” controller:



The electronic “Presscomfort” controller automatically starts the pump when the system pressure drops to the pump start pressure following the opening a tap or valve on the system. When the pump starts it keeps running while there is water being consumed and gives a constant flow and pressure. When the tap/valve on the system is closed the pump will run up to its closed valve pressure and stop after a short time.

The “Presscomfort” controller incorporates a system pressure gauge & a built in non-return valve to help maintain system pressure with no demand. There are also lights for power ON, pump running (green) and Failure (red) with a reset button.

In the event of a low suction water condition the pump will stop and need to be manually reset with the reset button.

2.3.3.2 MM-FS, MC5-FS fixed speed pump with “PM2” controller:



The electronic “PM2” controller automatically starts the pump when the system pressure drops to the pump start pressure following the opening a tap or valve on the system. When the pump starts it keeps running while there is water being consumed and gives a constant flow and pressure. When the tap/valve on the system is closed the pump will run up to its closed valve pressure and stop after a short time.

The “PM2” controller incorporates digital pressure readout via LED lights & a built in non-return valve to help maintain system pressure with no demand. There are also lights for pump running (green) and Alarm (red) with a reset button.

In the event of a low suction water condition the pump will stop and need to be manually reset with the reset button (auto reset of alarm is available).

Additional features are available but not activated as standard. i.e. an Anti-cycling alarm which trips the pump out if it starts and stops too many times, and a maximum run time of 30 minutes which would stop the pump if it were to run constantly for 30 mins.

2.3.3.3 MM-VS, MC5-VS Variable speed pump with inverter motor controller:



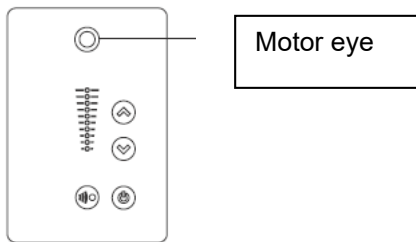
The “inverter motor” controller automatically starts the pump when the system pressure drops to the pump start pressure following the opening a tap or valve on the system. When the pump starts it keeps running while there is water being consumed and gives a constant flow and pressure. When the tap/valve on the system is closed the pump will raise the pressure slightly and stop after a short time.

The pump set incorporates a system pressure gauge, hydraulic accumulator vessel & non-return valve to help maintain system pressure with no demand. There are also lights on the motor terminal box for pump available (flashing green), pump running (constant green) and Alarm (red).

In the event of a low suction water condition and provided the low water float switch is wired to terminals 2 & 3 in the motor terminal box, the pump will stop and then automatically reset when the water level rises above the float switch level.

2.3.3.4 MM-VS, MC5-VS Pump Motor Eye

The operating condition of the motor is indicated by the Eye on the motor control panel. See below



Grundfos Eye	Indication	Description
	No lights on.	Power off. Motor not running.
	Two opposite green indicator lights rotating in the direction of rotation of the motor when seen from the non-drive end.	Power on. Motor running.
	Two opposite green indicator lights permanently on.	Power on. Motor not running.
	One yellow indicator light rotating in the direction of rotation of the motor when seen from the non-drive end.	Warning. Motor running.
	One yellow indicator light permanently on.	Warning. Motor stopped.
	Two opposite red indicator lights flashing simultaneously.	Alarm. Motor stopped.
	The green indicator light in the middle flashes quickly four times.	Remote control with the Grundfos GO Remote via radio. The motor is trying to communicate with the Grundfos GO Remote. The motor in question is highlighted in the Grundfos GO Remote display to inform the user of the location of the motor.
	The green indicator light in the middle flashes continuously.	When the motor in question is selected in the Grundfos GO Remote menu, the green indicator light in the middle will flash continuously. Press on the motor control panel to allow remote control and data exchange via the Grundfos GO Remote.
	The green indicator light in the middle is permanently on.	Remote control with the Grundfos GO Remote via radio. The motor is communicating with the Grundfos GO Remote via radio connection.
	The green indicator light in the middle flashes quickly while the R100 or Grundfos Go Remote is exchanging data with the motor. It will take a few seconds.	Remote control with the R100 or Grundfos GO Remote via infrared light. The motor is receiving data from the R100 or Grundfos GO Remote via infrared communication.

Fig. 2.1 Pump Motor Eye

2.3.4 Faults with MM-FS, MC5-FS “Presscomfort”

Failure LED illuminated, press RESET button once cause of failure has been rectified.

Possible problem	Cause	Check
Pump does not stop	Water leak higher than 0.7l/min	Check installation for leaking taps etc.
	Reset switch not working	Press several times or call for assistance.
	Controller failed	Replace controller
	Incorrect electrical connections	Verify connections are correct
	Pump start pressure set too high	Adjust pump start pressure within range (e.g. 1.4 to 2.3 Bar)
Pump does not stop and Failure LED illuminated.	Not enough water supply	Switch off pump, check water supply, vent pump of air switch on and press “Reset” button
	Pump is blocked	Switch off power, Unblock pump, press “Reset” button
	Controller failure	Switch off power, wait 10 seconds, switch power on again.
	Pump airlocked	Vent pump
Not enough pressure and Failure LED illuminated	Controller setup incorrect	Rectify and restart
	Air in pump	Check for leaks, rectify and restart.
Pump starts and stops repeatedly	Small leak on system	Check for leaks, rectify and restart..

Table. 2.1

2.3.5 Faults with MM-FS, MC5-FS “PM2”

Alarm LED illuminated, press RESET button once cause of failure has been rectified.

Possible problem	Cause	Check
The green light field for "0 bar" is off even if the power supply has been switched on	The fuses in the electric installation have blown	Replace the fuses. If the new fuses also blow, check the electric installation
	The earth leakage circuit breaker or the voltage-operated circuit breaker has been tripped out	Cut in the circuit breaker
	No power supply.	Contact the power supply authorities
	The PM unit is defective	Repair or replace the PM unit.
The green "Pump on" indicator light is on, but the pump does not start.	The power supply to the pump is disconnected after the PM unit.	Check the plug and cable connections, and check if the built-in circuit breaker of the pump is switched off.
	The motor protection of the pump has tripped out due to overload.	Check if the motor/pump is blocked
	The pump is defective.	Repair or replace the pump
	The PM unit is defective	Repair or replace the PM unit
The pump does not start when water is consumed. "Pump on" is off.	Too big difference in height between the PM unit and the tapping point.	Adjust the installation, or increase the start pressure
	The PM unit is defective.	Repair or replace the PM unit
System without pressure tank: Frequent starts/stops	DIP switch 5 set to "ON".	Set DIP switch 5 to "OFF".
	Leakage in the pipework	Check and repair the pipework
	The non-return valve is stuck in open position	Clean or replace the non-return valve
System with pressure tank: Frequent starts/stops	The pressure tank has no precharge pressure, or the tank size is insufficient	Check the tank precharge pressure, and recharge the tank, if necessary. If the size of the pressure tank is insufficient, set DIP switch 5 to "OFF", or replace the pressure tank.

	Leaky non-return valve	Clean or replace the non-return valve
The pump does not stop	The pump cannot deliver the necessary discharge pressure.	Replace the pump
	The start pressure is set too high.	Decrease the start pressure
	The PM unit is defective.	Repair or replace the PM unit
	The non-return valve is stuck in open position	Clean or replace the non-return valve
The red "Alarm" indicator light is permanently on.	Dry running. The pump needs water	Switch off power, check the Mains Water Breaktank is full of water, vent pump of any air before restarting pump.
	The power supply to the pump is disconnected after the PM unit.	Check the plug and cable connections, and check if the built-in circuit breaker of the pump is switched off.
	The motor protection of the pump has tripped out due to overload.	Check if the motor/pump is blocked
	The pump is defective	Repair or replace the pump
	The PM unit is defective	Repair or replace the PM unit
System without pressure tank: The red "Alarm" indicator light flashes once per period	Cycling. A tap has not been closed entirely after use.	Check that all taps have been closed.
	Cycling. There is a minor leakage in the system	Check the system for leakages.
System with pressure tank: The red "Alarm" indicator light flashes once per period	Cycling. The pressure tank has no precharge pressure, or the tank size is insufficient	Check the tank precharge pressure, and recharge the tank, if necessary. If the size of the pressure tank is insufficient, set DIP switch 5 to "OFF", or replace the pressure tank.
The red "Alarm" indicator light flashes twice per period.	Maximum continuous operating time (30 minutes). The pump has been running continuously for 30 minutes	Check the system for leakages. Disable the function to allow the pump to run for 30 minutes.
The red "Alarm" indicator light flashes three times per period, and each pump start is delayed a few seconds.	Too many start/stop sequences within a short period. The pressure tank has no precharge pressure, or the tank size is insufficient	Check the tank precharge pressure, and recharge the tank, if necessary. If the size of the pressure tank is insufficient, set DIP switch 5 to "OFF", or replace the pressure tank.
	Too many start/stop sequences within a short period. The PM 2 is set to start/stop with 1 bar differential pressure, i.e. DIP switch 5 is set to "ON", but no pressure tank has been installed in the system.	Set DIP switch 5 to "OFF".
The red "Alarm" indicator light flashes four times per period	Pressure sensor fault.	Repair or replace the PM unit.

Table. 2.2

2.3.6 Faults with MM-VS, MC5-VS sets only



WARNING: When accessing the control panel take care not to touch ANY LIVE PARTS. These should be left to discharge for at least 5 minutes after switching off the power.

MM-VS, MC5-VS: Fault Resetting

Inverter fault Isolate the pumpset hydraulically at the discharge side, switch off pumpset isolator for 1 minute. Switch on the isolator again to reset the inverter. After the pumpset has completed its power up procedure SLOWLY open the discharge valve to allow the system to refill. **WARNING;** opening the discharge valve too quickly could cause hydraulic shock to occur and cause damage the system.

Pump Faults

Where appropriate a fault is indicated by a red light on the motor terminal box. Detailed information is obtained by the use of a R100 remote control or Grundfos Go App.

Grundfos Eye	Condition/cause	Remedy
 <p>Two opposite red indicator lights flashing simultaneously.</p>	External fault (3) An external signal has reported an "External fault" to the digital input set up for this function.	Check the parameter or the unit reporting the external fault. Correct the fault.
	Too many restarts (4) The pump has restarted to many times in connection with a fault that forced the pump to stop and restart automatically.	a) Check the warning and alarm log for faults that caused to many restarts. b) Replace the pump if the fault cannot be found.
	Overvoltage (32) Supply voltage to the pump too high.	a) Check that the power supply is within the specified range.
	Undervoltage (40) Supply voltage to the pump too low.	a) Check that the power supply is within the specified range.
	Overload (49) The motor is overloaded and has automatically reduced the speed and thus the pump performance.	a) Check that the viscosity and temperature of the pump liquid is within the limits for the pump. If not, change the properties of the liquid. b) Dismantle the pump, and remove any foreign matter or impurities preventing the pump from rotating. c) If none of the above causes are present, replace the pump.
	Blocked pump (51) The pump is blocked.	a) Dismantle the pump, and remove any foreign matter or impurities preventing the pump from rotating.
 <p>One yellow indicator light permanently on.</p>	Pump communication fault (10) Communication fault between this pump and the other pumps of the multipump system.	a) Check that all pumps of the multipump system have been correctly set up.
	Forced pumping (29) Other pumps or sources force flow through the pump even if the pump is stopped.	a) Check the system for defective non-return valves and replace, if necessary. Check the system for correct position of non-return valves, etc.
	Dry running (56, 57) No water at the pump inlet or the water contains too much air.	a) Prime and vent the pump before a new start-up. Check that the pump is operating correctly. If not, replace the pump.
	Internal fault (72, 83, 85, 155, 157, 163) Internal fault in the pump electronics.	a) Replace the functional module, power module or terminal box.



Grundfos Eye	Condition/cause	Remedy
 <p>One yellow indicator light permanently on.</p>	High motor temperature (65, 66) 1. The motor temperature is too high.	a) Check that the ambient temperature is within the specified range. b) Check that the pump is not covered by dust, dirt or other foreign matter which reduces the air cooling of the pump. c) If none of the above causes are present, replace the motor.
	Internal communication fault (76) 1. Communication fault between different parts of the electronics.	a) Replace the terminal box.
	Soft pressure buildup, timeout (215) 1. The system has been in the mode "soft pressure buildup" longer than the set time limit.	a) Check the system for leakages.
 <p>One yellow indicator light rotating in the direction of rotation of the motor when seen from the non-drive end.</p>	Replace motor bearings (30) 1. The bearings must be replaced.	a) Follow the instructions for the pump, see 7.12 <i>Replacing the bearings</i> .
	Internal sensor fault (88) 1. The pump is receiving a signal from the internal sensor which is outside the normal range.	a) Check that the plug and cable are connected correctly to the sensor. The sensor is on the back of the pump housing. b) Replace the sensor.
	Pt100/1000 sensor 1 (91) and 2 (175) 1. Pt100/1000 input 1 is receiving a signal which is outside the normal range.	a) Check that the sensor resistance corresponds to ≈ 100 or 1000 ohm. If not, replace the sensor. b) Check the sensor cable for damage. c) Check the cable connection at the pump and at the sensor. Correct the connection, if required. d) Replace the sensor.
	Supply fault, 5 V (161) 1. Fault in the output voltage to sensor or potentiometer.	a) Check the output voltage and wire to sensor or potentiometer.
	Supply fault, 24 V (162) 1. Fault in the output voltage.	a) Check the output voltage and wire.
	LiqTec sensor fault (164) 1. The pump is receiving a signal from the LiqTec sensor which is outside the normal range.	a) Check that the plug and cable are connected correctly to the sensor. b) Replace the sensor.
	Signal fault, sensor 1 (165), 2 (166) and 3 (167) 1. Analog input 1, 2 or 3 is receiving a signal which is outside the normal range.	a) Check the setup of the analog input corresponds to the sensor output as regards electrical (0.5 - 3.5 V, 0-5 V, 0-10 V, 0-20 mA or 4-20 mA). If not, change the setting, or replace the sensor with one that matches the setup. b) Check the sensor cable for damage. c) Check the cable connection at the pump and at the sensor. Correct the connection, if required. d) Check if the sensor has been removed, but the input was not deactivated. e) Replace the sensor.
	Limit 1 exceeded (190) and limit 2 exceeded (191) 1. Limit 1 or 2 has reached the limit for warning/alarm.	a) Identify and remove the fault cause.

Fig. 2.2 Pump faults

2.3.7 Other Common Faults

VENTING PUMPS

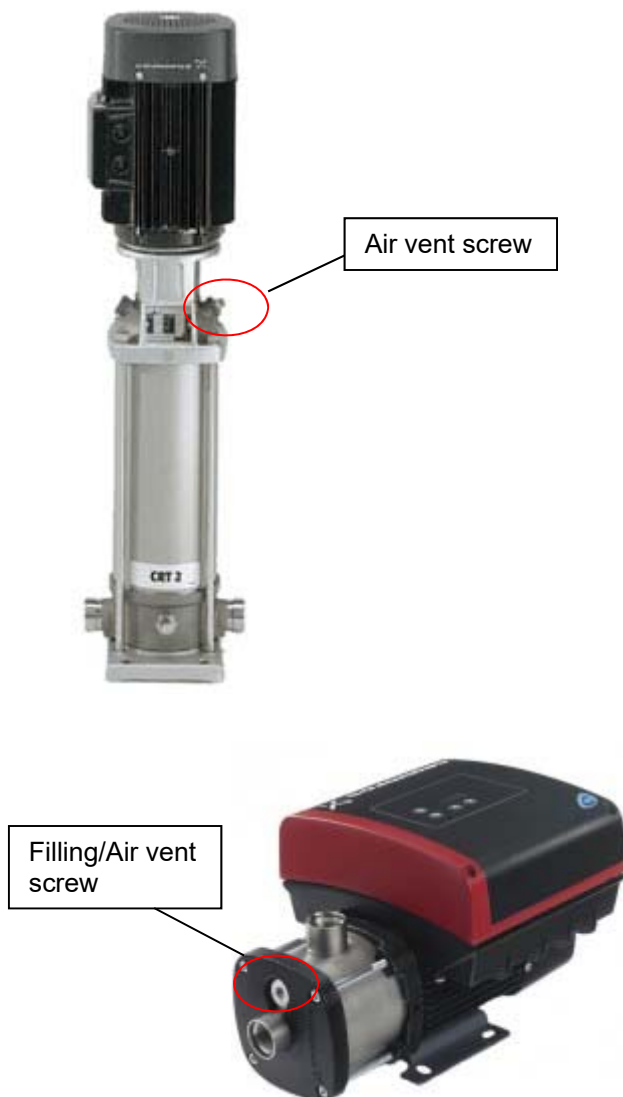


Fig 2.3 Venting Pumps (Multi-Stage type pump shown above, End-Suction type pump below)

To vent pumps:

Isolate pumpset from system by closing a common discharge valve.

ISOLATE control panel

Undo air vent screw on each pump body until all the air is released

Re-tighten screws

Switch ON panel isolator.

After pumpset has initialised, **SLOWLY** open discharge valve to bring the pumpset back online. Note:
Failure to close the discharge valve, or reopening it too quickly could cause damage to the system.

If a problem persists contact AQUATECH-PRESSMAIN service department quoting the serial number WN: _____ (on control panel fascia)

2.4 MAINTENANCE INSTRUCTIONS

WARNING: ON MM-VS & MC5-VS SETS - DO NOT TOUCH ANY LIVE PARTS FOR AT LEAST 5 MINUTES AFTER SWITCHING OFF

2.4.1. ADDITIONAL CAUTIONS

2.4.1.1 READ GENERAL SAFETY INFORMATION 0.0, WARNINGS 0.1 and CAUTIONS 0.2 to 0.4.

2.4.2 PROCEDURE

Every 6 months the pumpset should be maintained by authorised AquaTech-Pressmain service agents - see Servicing (Section 3.)

Pump Lubrication

Pumps require no lubrication as the impeller shafts are carried on the motor bearings.

Motor Lubrication

Motor bearings are normally sealed and require no lubrication. However should a motor have a grease point use good quality grease, and completely renew every two years.

Expansion, Control and Hydro Accumulator vessels

Air Charge Pressure. The correct charge pressure provides reliable operation of the system and a prolonged lifetime of the diaphragm. This should be checked regularly. Caution: If the air cushion pre-charge pressure required exceeds 4.0 Bar then you must follow the procedure shown below to avoid damaging/rupture of the internal diaphragm and consequences of. E.g. High and/or low pressure problems, unstable pump operation.

1. **To adjust air charge pressure < 4.0Bar:** isolate the vessel from the system and release pressure on water side by opening the drain cock disposing of the water-mix in the appropriate manner. The water inside the bladder will be pushed back by the air charge pressure. Remove cap on the filling valve, set air charge pressure refilling using dry air or nitrogen. Screw cap firmly on filling valve. Close the drain cock and slowly open water connection to the system.
2. **To adjust air charge pressure > 4.0Bar:** If vessel is already in use then isolate hydraulically, reduce the air charge to 4.0Bar then evacuate the water side of the vessel followed by evacuation of the air side. With the vessel empty of water and air, set the air charge pressure (using dry air or nitrogen) to 4.0Bar, bring the water side pressure up to 5.0Bar and close isolating valve, then add more air until the air side pressure is equal to the required pre-charge pressure multiplied by 1.2 e.g. for a pre-charge pressure of 6.0Bar after filling vessel with air to 4.0Bar followed by water to 5.0Bar, fill the air side to $6.0 \times 1.2 = 7.2$ Bar. Screw cap firmly on filling valve and slowly open isolating valve & water connection to the system.

Tank Maintenance

The tank and all associated fittings should be inspected on a weekly basis to ensure that no leaks are present and that no damage or deterioration to the tank structure and associated connections and/or pipework has taken place.

The screens fitted to overflows and warning pipes must be fitted and regularly checked as appropriate to ensure that they are clean and are not blocked.

**LEAVE SET WITH ALL PUMPS SWITCHES ON,
THE MAINS SUPPLY SWITCHED ON,
AND THE SYSTEM CONNECTION OPEN**

3. SERVICING

3.1 MAINTENANCE AND CARE OF YOUR EQUIPMENT

The AquaTech-Pressmain equipment that is described in this instruction booklet has been manufactured and tested to the highest standards of design and quality. It will give trouble free operation over many years provided it is maintained regularly from when it is commissioned. To keep it operating efficiently in a safe, economical and environmentally friendly condition, regular maintenance is an essential part.

AquaTech-Pressmain along with its' service division, Acorn Pressurisation Services are the official providers of commissioning and maintenance services. (see below).

Several companies operating under the Aquatronic Group Management structure are available to fulfil a wide range of servicing and maintenance requirements, as detailed below.

3.2 LEGAL REQUIREMENTS

Hydraulic Accumulators/Expansion Vessels installed as part of/in conjunction with this equipment, with Pressure x Volume above 250 Bar-litres, require formal inspection in accordance with a "Written Scheme of Examination". This is a Legal Requirement on the part of the Owner/User under the "Pressure Systems Safety Regulations" (PSSR). A "Written Scheme" and regular inspection can be provided by either Acorn Pressurisation Services (combined maintenance and inspection) or ESIS Ltd (inspection only), see details below.



Plant Servicing & Inspection

ACORN PRESSURISATION SERVICES,

AGM House, Essex, CO6 1GT.

Ph: 01206 215151

10 Wheel Forge Way, Manchester. M17 1EH. Ph: 0161 226 4727

Acorn provides maintenance and installation of all types of packaged water pumping equipment for building services. Its specialist fields are Pressure booster equipment and sealed systems for heating and chilled water distribution systems.

Regular servicing of any plant for essential services is vital because wear and tear are very gradual processes.

With preventative maintenance, the costs are small and benefits in reliability, safety and economy can be significant. Acorn Pressurisation Services can provide a complete package of schemes for preventative maintenance on all AquaTech-Pressmain and other makes of equipment.



Pressure Vessel Inspection

ESIS ENGINEERING SAFETY & INSPECTION SERVICES LTD,

AGM House, London Rd, Copford, Colchester, Essex, CO6 1GT.

Phone: 01206 215141

Under the Pressure Systems Safety Regulations, expansion vessels and hydraulic accumulators, generally 250 bar-litres and greater, and protection devices, require a Written Scheme of Examination before they can be operated. ESIS Inspection and Insurance Services Limited specifications can provide the means to comply with these regulations. These services can be extended to cover other units e.g. air pressure receivers etc.

3.3 SERVICE CONTACTS

For service during warranty period contact: AQUATECH-PRESSMAIN Service Department

Head Office Tel: 01206 215121 Manchester Office Tel: 0161 226 4727

For regular servicing, contact service division: ACORN PRESSURISATION SERVICES

Head Office Tel: 01206 215151 Manchester Office Tel: 0161 226 4727

who will be pleased to give you expert advice on this or any other servicing matter.

4. DISPOSAL

Disposal of this product or parts of it must be carried out in accordance with the following guidelines:

Use the local public or private recycling/waste collection service.

In case such a recycling/waste collection service does not exist or cannot handle the materials used in this product, please deliver the product or any hazardous material from it to your nearest AquaTech-Pressmain office.

Notes.....

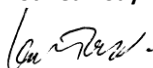
EC Declaration of Conformity

We, AquaTronic Group Management Plc, declare that the equipment detailed below:

PRESSURE BOOSTER SET
MODEL: Monomatic MM, MC5 according to drawing A12289

Complies with the requirements of the following European Directives:
Pressure Equipment Directive 2014/68/EU (PED)
Machinery Directive 2006/42/EC
Low Voltage Directive 2014/35/EC
Electro Magnetic Compatibility Directive 2014/30/EC

PED Conformity Assessment Modules
Module B : Certificate No. CE 641230
Module D : Certificate No. CE 641231
Notified Body : BSI, Kitemark Court, Knowlhill, Milton Keynes, MK5 8PP
Notified Body No. 0086



13/4/17

I.D.Taylor, I.Eng. MIET, Director,
 Aquatronic Group Management T/A AquaTech-Pressmain
 AGM House, London Rd, Copford, Colchester, Essex CO6 1GT UK
 Telephone: 01206 215121

OPERATING PARAMETERS

SERIAL No. **MODEL**

THE SERIAL & MODEL NUMBERS MUST BE QUOTED WHEN REQUESTING ASSISTANCE

ELECTRICAL DATA:

Supply volts Ph Hz
 Full load current of pumpset Amps
 Max. pumpset loading: Kw Method of starting:

NOISE LEVEL: less than 70 db(A) unless otherwise stated

NOMINAL FLOW RATE: litres/sec

PRESSURE SETTINGS:

AS FACTORY SET

bar
 Pump Duty pressure
 Hyd. Accumulator:
 Pump closed valve press.

❖ AMENDED AT COMMISSIONING	
bar	
.....	
.....	
.....	

❖ On commissioning it may be found necessary to modify these settings. Providing this information is left with the equipment, the figures will be updated by the commissioning engineer.
 Updated by commissioning engineer Date